



XD221U-G(D)

**Portable
Projector**



Mitsubishi Product Launch

XD221U-G(D) XGA DLP Projector

XD221U-G(D) Overview

The new Mitsubishi XD221U-G(D) is a DLP® projector that offers great value, a native XGA resolution of (1024x768), a bright 2300 ANSI lumens and a rich 2000:1 contrast ratio in an compact and economical package that weighs only 7.0lbs for convenient portability.

Presenters will enjoy the versatile features the XD221U-G(D) has to offer, such as the flexible connectivity options for video and data sources, anti-theft security hook that prevents from unauthorized removal, and a compact design for classrooms, conference rooms, tradeshow and corporate boardrooms. School administrators will specially enjoy how the XD221U-G(D) can be fully integrated into classrooms or meeting rooms and remote control systems via RS232C communication protocols.

Utilizing the latest DLP® technology, the XD221U-G(D) has 3D-Ready functionality built in. Perfect for K-12 education or corporate applications, images can be rendered in stunning 3D—adding a new dimension to viewing scientific, architectural, and engineering imagery. The 3D video content must be in field sequential format, a high end graphic card and special electronic shutter glasses are required.

A high-volume, 10W speaker is built-in, eliminating the need for an external speaker. It also includes dual 3.5mm audio inputs and a new “Audio Mix” feature that can simultaneously project audio from two audio sources and be configured to adjust the volume levels from its 10W built-in speaker. A common education application for this type of configuration would be for a 3rd party wireless microphone and audio from an education video, where the instructor’s voice via a wireless microphone can interject and be heard over the video audio to inform the class of key points. The instructor’s voice can now be reproduced loud and clear in real time and mixed with the audio of the video source.

An external computer output is available for monitor connection that can enable teachers to face the class during a class lecture. The XD221U-G(D) also includes an estimated lamp life rating of up to 4000-hours (low mode), the proven durability of DLP® Technology, and Mitsubishi’s exclusive Express Replacement Assistance (ERA) warranty.

The XD221U-G(D) is built with the high quality standards you expect from a Mitsubishi projector and is an excellent choice that delivers sharp, bright images with vibrant and exception details.

Target Markets and Customers of the XD221U-G(D)

- For the mobile user... the Mitsubishi XD221U-G(D) is a projector that one carries with confidence because it will always be bright and clear for presentations in any environment.
- For the office or education user: XD221U-G(D) is a portable XGA projector that will shine with impact in the office or in the classroom while having portable flexibility.

Key Selling Points

- DLP® Technology for outstanding image quality and long life
- Native XGA resolution (1024x768)
- 3D-Ready Technology
- Brightness rating of 2300 ANSI lumens
- Contrast ratio of 2000:1
- Dual PC inputs
- 10W speaker + on-board audio mixer
- Top access lamp design
- RJ45 support for remote connectivity
- Up to 4,000 hours of lamp life (*low mode*)
- Closed Caption
- Wall screen support (beige, blue, green, pink, blackboard, whiteboard)
- Anti-theft security hook
- Instant shutdown support
- 5 Segment color wheel (R,G,B,W,Y) for superior color reproduction
- White intensity (allow users to configure the overall brightness)
- Backed by Mitsubishi outstanding Warranty and exclusive ERA Programs:
 - 3-years parts and labor
 - 3-years Express Replacement Assistance (ERA)
 - 1-year (or 500 hours) lamp warranty

XD221U-G(D) Positioning Statement

The Mitsubishi XD221U-G(D) is an all-purpose portable XGA projector for the on-the-go professional. It offers brightness and clarity—delivering great impact on every presentation in meetings and conferences.

| Specifications | XD211U | XD221U-G(D) |
|---------------------------|--------------------------------|--------------------------------|
| Display Technology | 0.55" 1-Chip DLP® DMD, DDP2230 | 0.55" 1-Chip DLP® DMD, DDP2230 |
| Brightness | 2200 ANSI lumens | 2300 ANSI lumens |
| Lamp life | 3000 hours (low mode) | 4000 hours (low mode) |
| Weight | 6 lbs. | 7 lbs |
| Audio Mixer | No | Yes |
| 3D-Ready | No | Yes |

Key Features and Advantages

| | |
|----------------------------------|--|
| 3D-Ready Technology | Supports the latest 3D Technology for amazing 3D presentations |
| Vertical Digital Keystone | Image adjustment for perfect projection all the time |
| Wall screen support | Can produce good colors even when projected on non-white surfaces |
| Password lock | Protects projector from unauthorized use or menu adjustment |
| Auto power off | Saves power and save lamp life by automatically turning off when no input is detected after a period of time |
| RJ45 Connectivity | Designed for remote management |
| 10w speaker | Available audio speaker (not necessary to invest in external speaker system) |
| Quick cooling | Quick shut down, no waiting period, easy to move between locations |
| Audio Mixer | Support volume control between multiple audio inputs |
| Top Access Lamp Design | No need to unmount or turn over projector to for lamp exchanges |
| Closed Caption | Visual representation of text |

Mitsubishi XD211U-G(D) Competitive Background

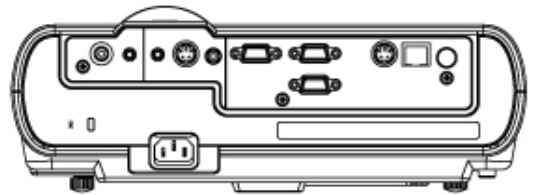
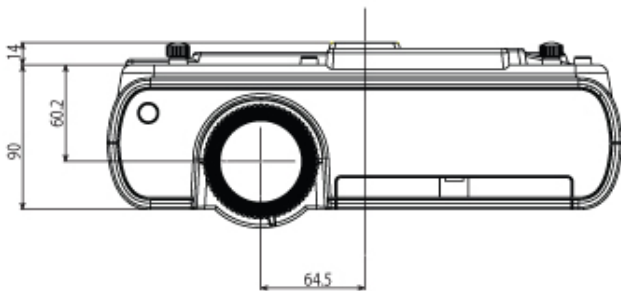
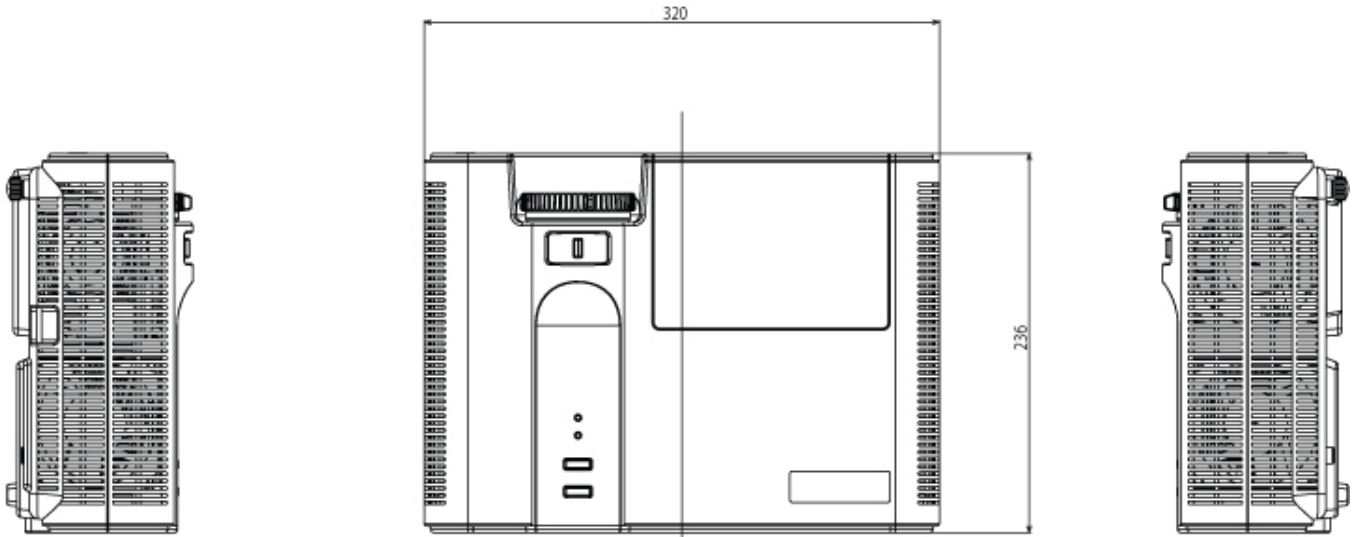
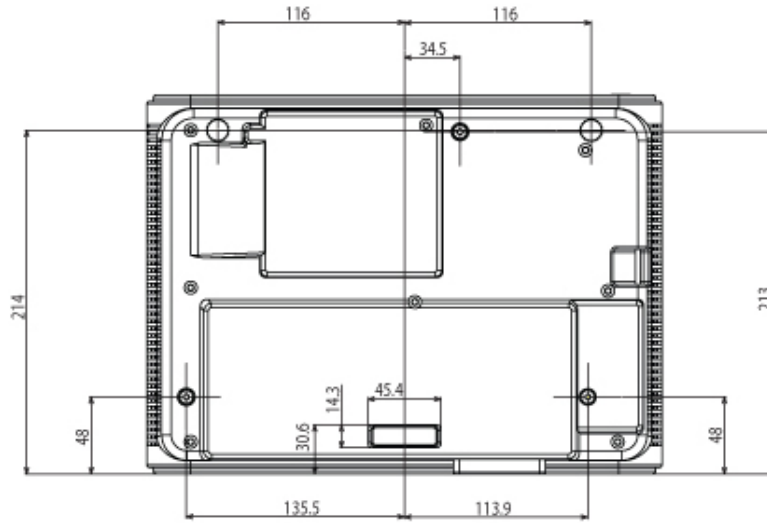
| Make & Model | Brightness | Contrast ratio | Resolution | Noise Level | Lamp Life | Weight | Projector + Lamp Warranty | MSRP |
|------------------------|------------|----------------|------------|-------------|---------------|---------|---|--------|
| Mitsubishi XD221U-G(D) | 2300lm | 2000:1 | 1024x768 | 26dBa (low) | 4000hrs (low) | 7.0 lbs | 3-yrs Parts, 1yr or 500hrs lamp (whichever comes first) | - |
| Epson Power Lite 83+ | 2200lm | 400:1 | 1024x768 | 28dBa (low) | 4000hrs | 6.4 lbs | 2-yrs | \$899 |
| Hitachi CP-X201 | 2100lm | 500:1 | 1024x768 | 29dBa (low) | 4000hrs | 7.7 lbs | 3-yrs | \$1995 |

*Manufacturers may change their product specifications without notice. Please verify their latest for a fair and accurate comparison

Specifications

| | |
|-------------------------------|---|
| Display Technology | 0.55" 1-Chip DMD, DDP2230 |
| Resolution | 1024x768 XGA |
| Brightness | 2300 ANSI Lumens |
| Color wheel | 6 segment |
| Contrast Ratio | 2000:1 Full ON Full OFF |
| Zoom/Focus | Manual Focus & Zoom Lens |
| Projection Lens | f=19.9 ~23.9 mm, F=2.5-2.7, (3.6-4.4m@100") |
| Off set axis | 7.9:-1 |
| Picture size | 40" -300" wide |
| Source lamp | Normal Mode: 160W (Shut Off Time: 4000hrs) Low Mode:180W (Shut Off Time: 3000hrs) |
| PC Compatibility | Resolution: 640 x400 Real: 1024 x 768 Compressed: 1280 x 1024 |
| Video Compatibility | NTSC / NTSC 4.43 / PAL (including PAL-M, N) / SECAM / PAL-60 Component: 480i/p(525i/p), 576i/p(625i/p), 720p(750p), 1080i(1125i 60Hz), 1080i(1125i 50Hz) |
| Input Terminals | RGB: mini D-sub 15pin x 2 Audio: Stereo mini jack (ø3.5mm) x 2 (one for PC, one for Video) Video: RCA x 1 + S-VIDEO x 1 |
| Output Terminal | RGB: mini D-sub 15pin x 1 Audio: Stereo mini jack (ø3.5mm) x 1 (variable) |
| Communication Terminal | RS232C: Mini DIN 8pin x 1 LAN (RJ-45): x 1 (Projector control) |
| Scanning Rate | [H] 15 - 80 kHz [V] 50 - 85 Hz |
| Audio Speaker | 10W mono |
| Height adjuster | Screw type Front leg (0 to 7 degree variable) |
| Hand Remote unit | Projector Fully Control, Card type |
| Power consumption | 270W |
| Dimension | 12.5 "x 4.1" x 9.3" (W x H x D) |
| Weight | 7 lbs. |
| Power requirements | AC 100 - 240 V, 50/60Hz |
| Fan noise | 29dBA (low mode:26dBA) |
| Package dimension | 14.9" x 11.8" x 9.4" (W x H x D) (Not included protrusion) |
| Package weight | 10.3 lbs. |
| Supplied accessories | Remote control (with batteries), Power cable, VGA(D-sub) cable, User Manual (CD-ROM), Quick Start manual, Soft carrying bag, |
| Warranty | 3-Years Limited Parts & Labor 3-Years Express Replacement Assistance 1-Year or 500 hours lamp warranty (whichever comes first) |

XD221U-G(D) Dimensions



XD221U-G(D)

Word Descriptions

25 Words

This 3D-Ready, XGA DLP® projector only weighs 7.0 lbs, supports a 2000:1 contrast ratio and shines bright at 2300 ANSI Lumens for an impressively bright picture.

50 Words

This 3D-Ready, XGA DLP® projector only weighs 7.0 lbs, supports a 2000:1 contrast ratio and shines bright at 2300 ANSI Lumens for an impressively bright picture. Additionally it supports flexible connectivity options for both video and data images, and is backed by Mitsubishi's exclusive ERA and Warranty programs.

75 Words

The XD221U-G(D) is an XGA DLP® projector that provides a bright 2300 ANSI Lumens picture at an affordable price. It also supports 3D-Ready technology, a high 2000:1 contrast ratio, video and data connectivity, and only weighs 7.0 lbs for convenient portability. The XD221U-G(D) is also backed by Mitsubishi's exclusive ERA and Warranty programs, making it an excellent choice for the cost conscious user who does not want to compromise on performance, quality and reliability.

100 Words

The XD221U-G(D) is an XGA DLP® projector that provides a bright 2300 ANSI Lumens picture at an affordable price. It also supports 3D-Ready technology, a high 2000:1 contrast ratio, video and data connectivity, and only weighs 7.0 lbs for convenient portability. It supports flexible connectivity options with support for both video and data images, digital keystone correction for proportional presentations and password menu locks for security needs. The XD221U-G(D) is also backed by Mitsubishi's exclusive ERA and Warranty programs, making it an excellent choice for the cost conscious user who does not want to compromise on performance, quality and reliability.

